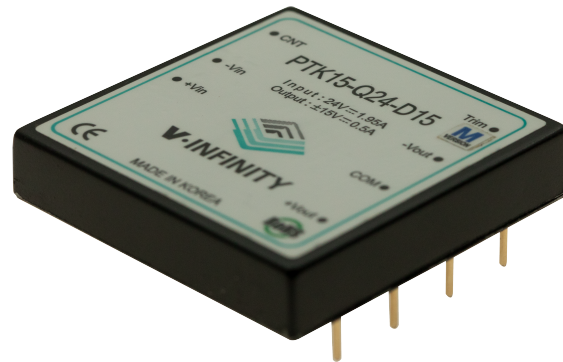


**PART NUMBER:** PTK15**DESCRIPTION:** dc-dc converter**features**

- industry standard pin out
- wide 4:1 input range
- fully isolated
- output voltage trimmable
- output on/off control
- over-current protection
- over-voltage protection
- six-sided EMI shielding
- constant switching frequency
- high efficiency
- compact size 2.0"x2.0"x0.4"
- 3 year warranty



MODEL <sup>1</sup>	output power (max)	input voltage	output voltage	output current (max)	ripple & noise <sup>2</sup> mV P-P	efficiency (typ.)
PTK15-Q24-S3	13.2W	10-36VDC	3.3VDC	4.0A	75	80%
PTK15-Q24-S5	15.0W	10-36VDC	5VDC	3.0A	75	85%
PTK15-Q24-S12	15.0W	10-36VDC	12VDC	1.25A	120	86%
PTK15-Q24-S15	15.0W	10-36VDC	15VDC	1.0A	150	84%
PTK15-Q24-D5	15.0W	10-36VDC	±5VDC	1.5A	50/50	85%
PTK15-Q24-D12	15.0W	10-36VDC	±12VDC	0.625A	120/120	87%
PTK15-Q24-D15	15.0W	10-36VDC	±15VDC	0.5A	150/150	87%
PTK15-Q24-T312	12.39W	10-36VDC	3.3VDC/±12VDC	2.0A/0.31A	50/120/120	83%
PTK15-Q24-T512	15.0W	10-36VDC	5VDC/±12VDC	1.5A/0.31A	50/120/120	84%
PTK15-Q24-T315	12.45W	10-36VDC	3.3VDC/±15VDC	2.0A/0.25	50/150/150	83%
PTK15-Q24-T515	15.0W	10-36VDC	5VDC/±15VDC	1.5A/0.25A	50/150/150	84%
PTK15-Q48-S3	13.2W	20-72VDC	3.3VDC	4.0A	75	80%
PTK15-Q48-S5	15.0W	20-72VDC	5VDC	3.0A	75	85%
PTK15-Q48-S12	15.0W	20-72VDC	12VDC	1.25A	120	87%
PTK15-Q48-S15	15.0W	20-72VDC	15VDC	1.0A	150	87%
PTK15-Q48-D5	15.0W	20-72VDC	±5VDC	1.5A	50/50	85%
PTK15-Q48-D12	15.0W	20-72VDC	±12VDC	0.625A	120/120	86%
PTK15-Q48-D15	15.0W	20-72VDC	±15VDC	0.5A	150/150	87%
PTK15-Q48-T312	12.39W	20-72VDC	3.3VDC/±12VDC	2.0A/0.31A	50/120/120	83%
PTK15-Q48-T512	15.0W	20-72VDC	5VDC/±12VDC	1.5A/0.31A	50/120/120	84%
PTK15-Q48-T315	12.45W	20-72VDC	3.3VDC/±15VDC	2.0A/0.25A	50/150/150	83%
PTK15-Q48-T515	15.0W	20-72VDC	5VDC/±15VDC	1.5A/0.25A	50/150/150	84%

**NOTE:** 1. All models are also available in an extended temperature range of -40°C~85°C. For these models, append "M" to the model number, e.g. PTK15-Q48-S5M.

2. Ripple & noise measured with a 20MHz bandwidth, off a 10uF electrolytic and a 0.1uF ceramic cap in parallel at the output.

**PART NUMBER:** PTK15**DESCRIPTION:** dc-dc converter**INPUT**

parameter	conditions/description	min	nom	max	units
input voltage range		10	24	36	VDC
		20	48	72	VDC
remote on/off control	output turn-on <sup>3</sup>	2.5V	(open)	5.5V	
	output turn-off	0V	(short)	0.8V	
switching frequency	constant		250		KHz

**NOTE:** 3 output defaults to "on" when there is no connection to the "CNT" pin.**OUTPUT**

parameter	conditions/description	min	nom	max	units
output trim range	with external trim resistors	-5%		+5%	
set point accuracy	single output	-2%		+2%	
	dual output	-3%		+3%	
line regulation (low line to high line)	single output models	-0.25%		+0.25%	
	dual output models	-2.5%		+2.5%	
	triple: main output (Vout) auxillary outputs (+Vaux / -Vaux)	-0.25%		+0.25%	
load regulation	single output models- no load to full load	-0.25%		+0.25%	
	dual output models- balanced loads	-2.5%		+2.5%	
	triple: main output (Vout) auxillary outputs (+Vaux / -Vaux)- with 10% load on Vout and balanced loads on+Vaux and -Vaux	-0.25%		+0.25%	
minimum load	converters will not be damaged if loading conditions are less than minimum specified loads, but regulation specs may not be met <sup>4</sup>				
ripple and noise	see chart				

**NOTE:** 4 single output: no min. load required, dual: 10%, triple: balanced loads.**PROTECTION**

parameter	conditions/description	min	nom	max	units
over-current	continuous auto recovery <sup>5</sup>	105%		135%	
over-voltage	internally zener clamped <sup>5</sup>	110%		140%	

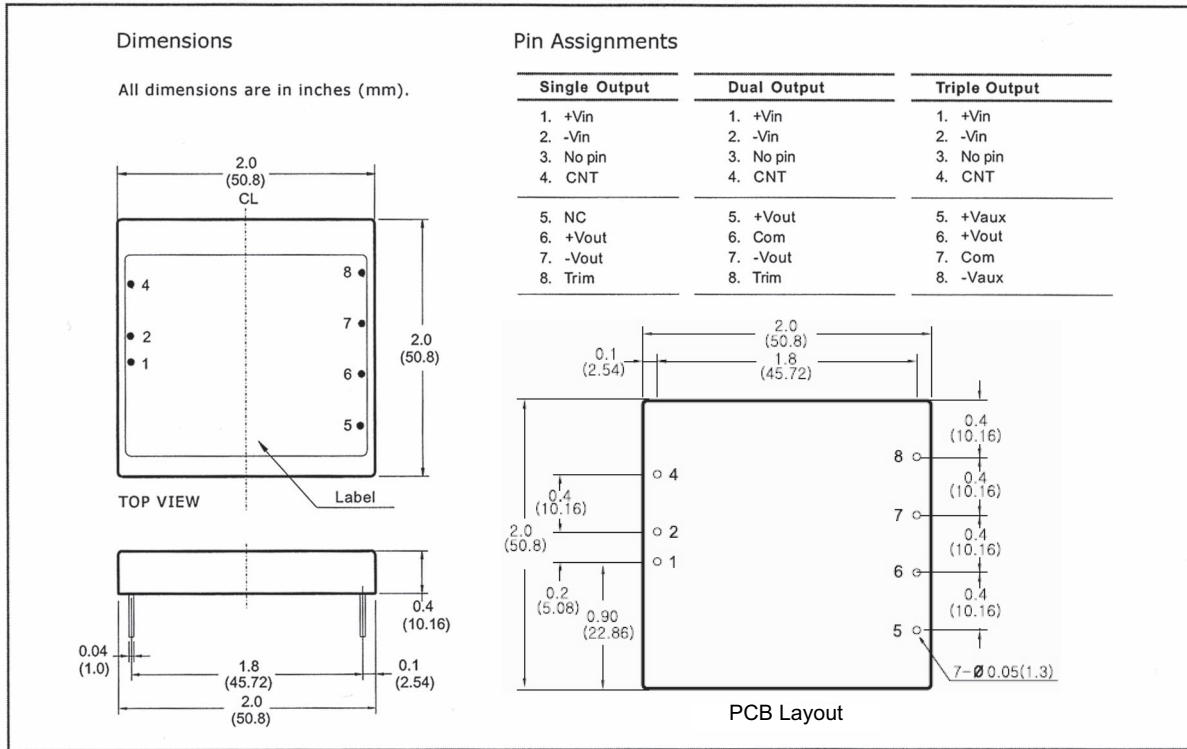
**NOTE:** 5 continuous operation in a protected state may compromise long-term reliability.**GENERAL**

parameter	conditions/description	min	nom	max	units
efficiency	typical at full load	78%		83%	
isolation voltage	input/case, input/output, output/case	500			VAC
insulation resistance	at 500 VDC	100M			Ohms
agency standards	approved to UL60950(E222889), CSA C22.2 No. 60950, TUV EN60950 (single output only)				
case material			Zn		
material flammability		94 V-0			
weight			75		grams
			(2.65)		(ounces)
MTBF	MIL-HDBK-217F		470k		hours
operating temperature	regular models - see derating curve.	-20		+71	°C
	extended temperature models	-40		+85	°C
storage temperature		-40		+105	°C
humidity	operating (non-condensing)	5%		95%	RH
washability	not intended for aqueous wash				

**PART NUMBER:** PTK15

**DESCRIPTION:** dc-dc converter

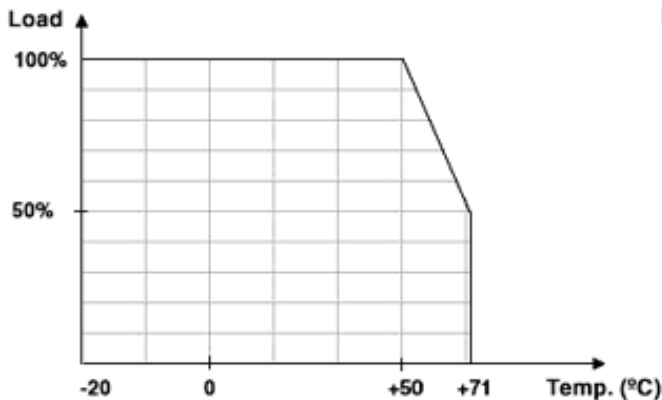
**DIMENSIONS (mm)**



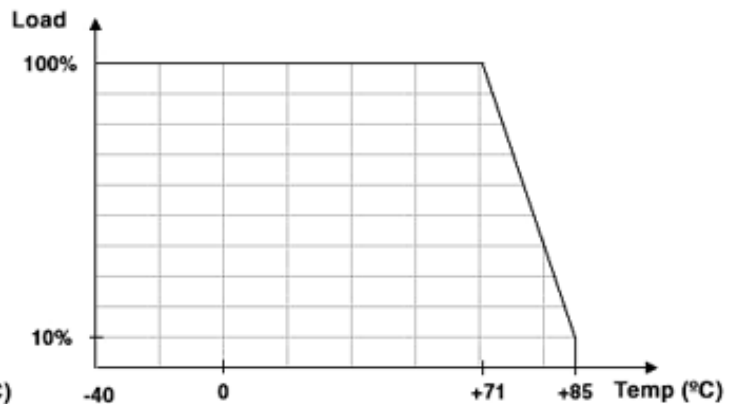
**PIN DEFINITIONS**

- +Vin: Input positive terminal
- Vin: Input negative terminal
- CNT: Remote On/Off control of output voltage. Referenced to -Vin
- +Vout: Main output positive terminal
- Vout: Output negative terminal
- +Vaux: Positive auxiliary output
- Vaux: Negative auxiliary output
- Com: Common node for dual- or triple-output models
- Trim: For trimming output voltage on single- or dual-output models

**DERATING CURVES**



**Regular Version**



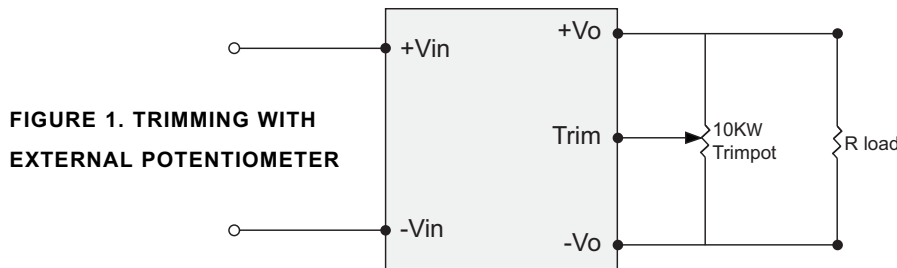
**M Version**

**PART NUMBER:** PTK15**DESCRIPTION:** dc-dc converter

## APPLICATION NOTES

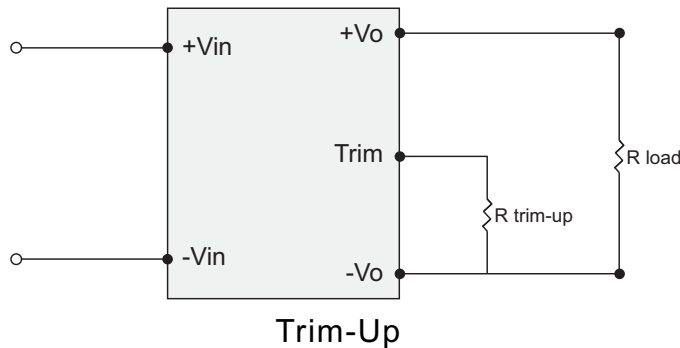
### 1. OUTPUT TRIMMING

The output voltages are preset to nominal values as indicated by the models table at the factory. If desired, the output voltage may optionally be trimmed to a different value ( $\pm 5\%$ ) with external resistors and/or potentiometer as shown below.



**FIGURE 1. TRIMMING WITH EXTERNAL POTENTIOMETER**

To trim the output voltage with fixed resistors, the output voltage can be calculated as follows.



**FIGURE 2: TRIM-UP VOLTAGE SETUP**

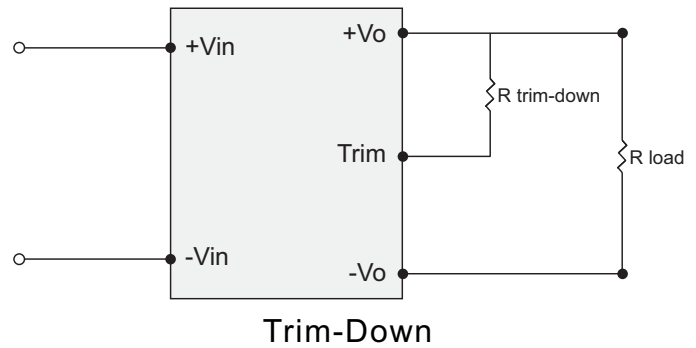
$$R_{trim\_up} = \frac{V_r \cdot R_1 \cdot R_2}{R_2 \cdot (V_o - V_r) - V_r \cdot R_1}$$

The value of  $R_{trim-up}$  is defined as:

Where:  $R_{trim-up}$  is the external resistor in  $K\Omega$ .  $V_o$  is the desired output voltage.  $R_1$  and  $R_2$  and  $V_r$  are internal to the unit and are defined in Table 1. For example to trim up the PTK15-D5-D12 up by 5% to 25.2 V,  $R_{trim-up}$  is calculated as follows:

$$V_o = 25.2 / R_1 = 21 \text{ K}\Omega / R_2 = 2.43 \text{ K}\Omega / V_r = 2.5$$

$$R_{trim\_up} = \frac{2.5 \cdot 21 \cdot 2.43}{2.43 \cdot (25.2 - 2.5) - 2.5 \cdot 21} = 47.94 \text{ K}\Omega$$



**FIGURE 3: TRIM-DOWN VOLTAGE SETUP**

$$R_{trim\_down} = \frac{(V_o - V_r) \cdot R_1 \cdot R_2}{V_r \cdot R_1 - (V_o - V_r) \cdot R_2}$$

The value of  $R_{trim-down}$  is defined as:

Where:  $R_{trim-down}$  is the external resistor in  $K\Omega$ .  $V_o$  is the desired output voltage.  $R_1$  and  $R_2$  and  $V_r$  are internal to the unit and are defined in Table 1. For example to trim down the PTK15-D5-D12 down by 5% to 22.8 V,  $R_{trim-down}$  is calculated as follows:

$$V_o = 22.8 / R_1 = 21 \text{ K}\Omega / R_2 = 2.43 \text{ K}\Omega / V_r = 2.5$$

$$R_{trim\_down} = \frac{(22.8 - 2.5) \cdot 21 \cdot 2.43}{2.5 - 2.1 (22.8 - 2.5) \cdot 2.43} = 326.68 \text{ K}\Omega$$

Table 1

Model	R1 (K $\Omega$ )	R2 (K $\Omega$ )	Vr (V)
PTK15-QXX-S3.3	1.13	0.68	1.25
PTK15-QXX-S5	2.43	2.43	2.5
PTK15-QXX-S12	9.31	2.43	2.5
PTK15-QXX-S15	12.7	2.4	2.5
PTK15-QXX-D5	7.32	2.43	2.5
PTK15-QXX-D12	21	2.43	2.5
PTK15-QXX-D15	26.7	2.43	2.5